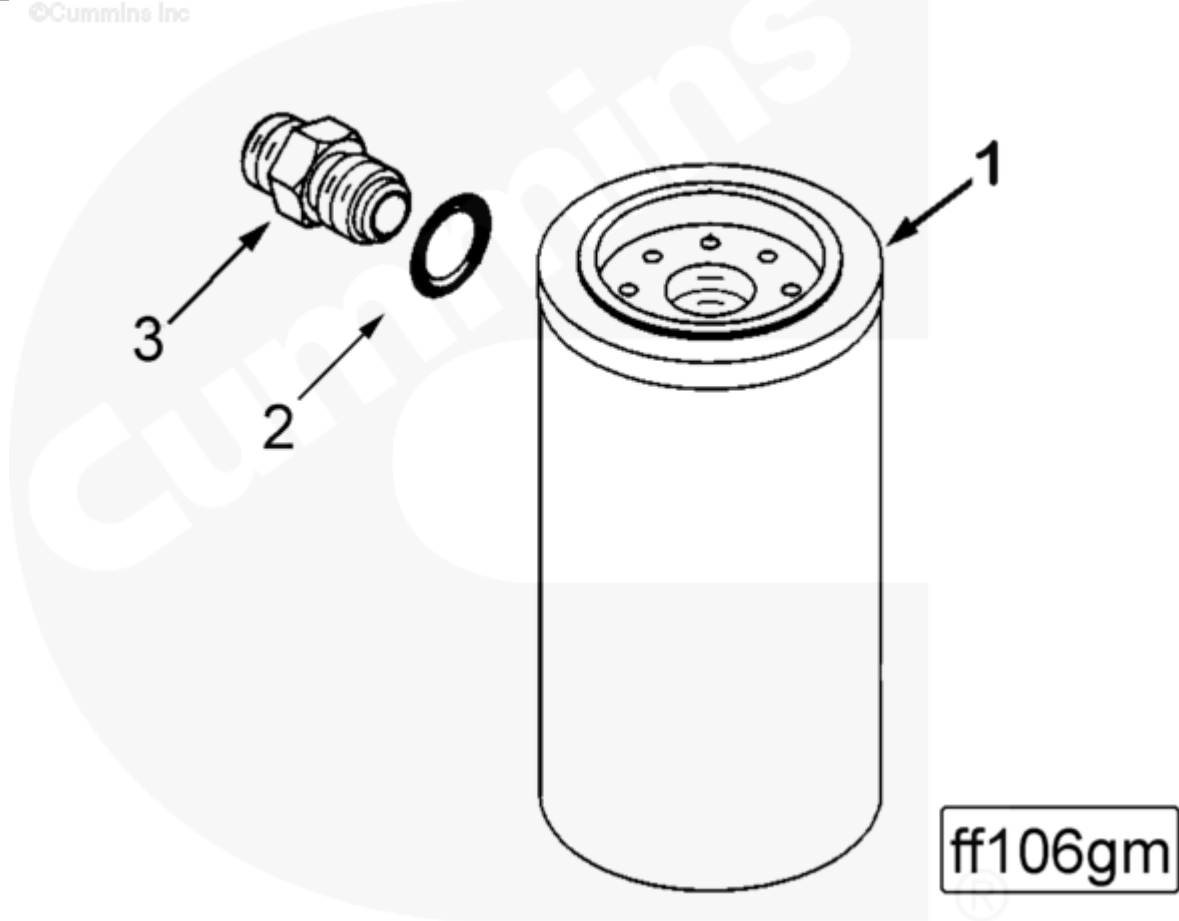




## Parts Catalog - Option Detail

Electronic Parts Catalog - Option Detail				
Option	Group	Graphic	Film Card	Date
FF1245-01	06.04	ff106gm	FF	05-JUN-00
<b>Engines</b>	G855, G855 CM558, GTA855 CM558 (CM2358) G101, N14 CELECT, N14 CELECT PLUS, N14 MECHANICAL, NH/NT 855, QSM11 CM876 M101, QSM11 CM876 M102M, QSN14 CM876 N103, QSN14 CM876 N105, QSNT14 CM876 N102			

©Cummins Inc



[SMALL](#) | [MEDIUM](#) | [LARGE](#)

Cart	Ref No	Part Number	Part Description	Required	Remarks
<a href="#">View My Cart</a>					
		FF1245-01	Fuel Filter		
					Single spin-on fuel/water
					separator mounted on rear of
					fuel pump.

					Provides straight inlet
					fitting and provision for
					metal drain valve.
	1	<a href="#">3331673</a>	Fuel Water Separator	1	
<input type="checkbox"/>		<a href="#">129866</a>	Male Union	1	
<input type="checkbox"/>	2	<a href="#">3040817</a>	O-Ring Seal	1	
	3	<a href="#">3100516</a>	Male Union	1	7/8-14 x 7/8-14

© 2019 Cummins Inc., Box 3005, Columbus, IN 47202-3005 U.S.A.  
Terms of Use and Disclaimers | Recommended System Requirements  
Need Assistance? Please click on the Contact Us button in the top right corner of any page.